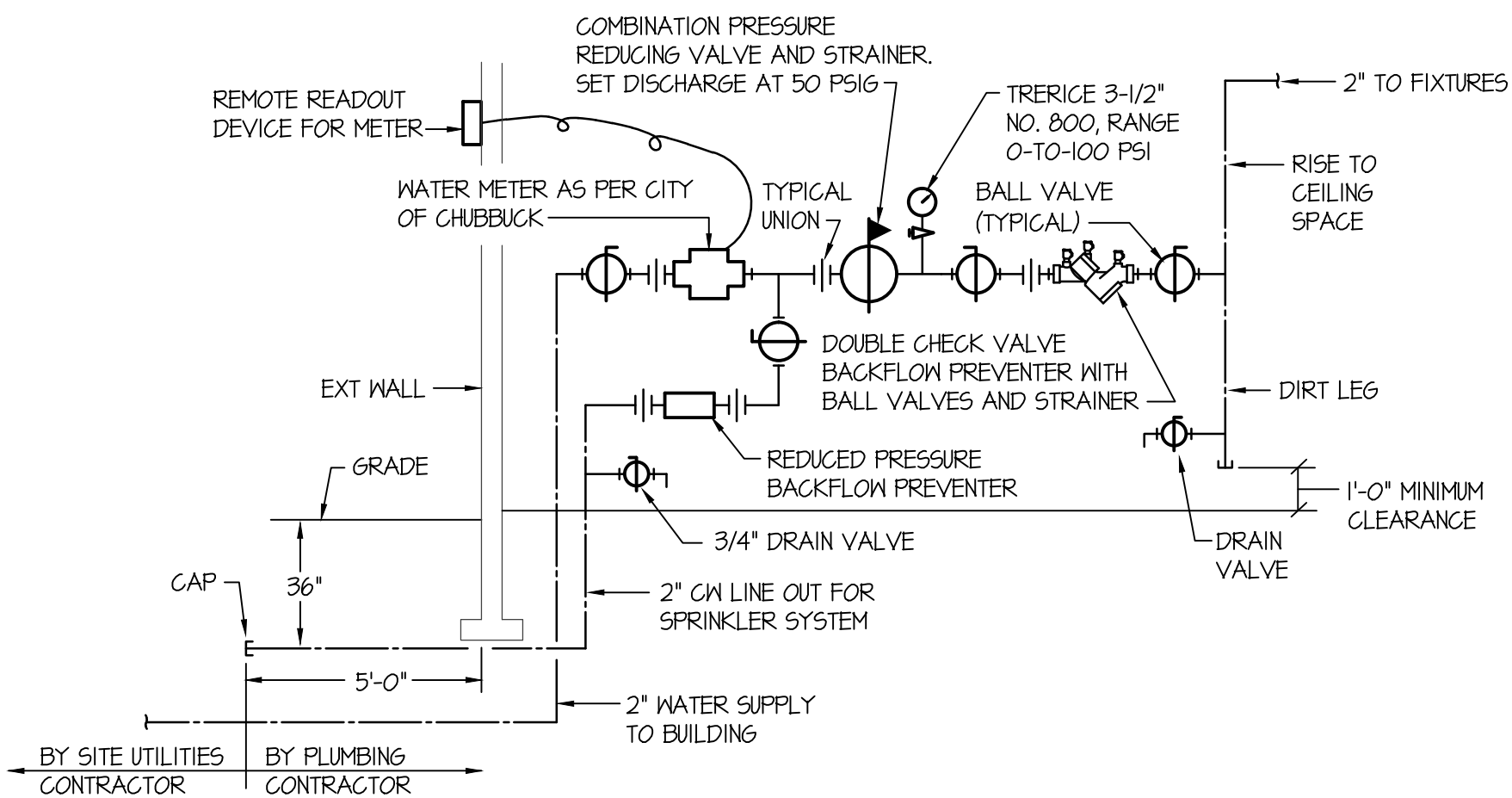
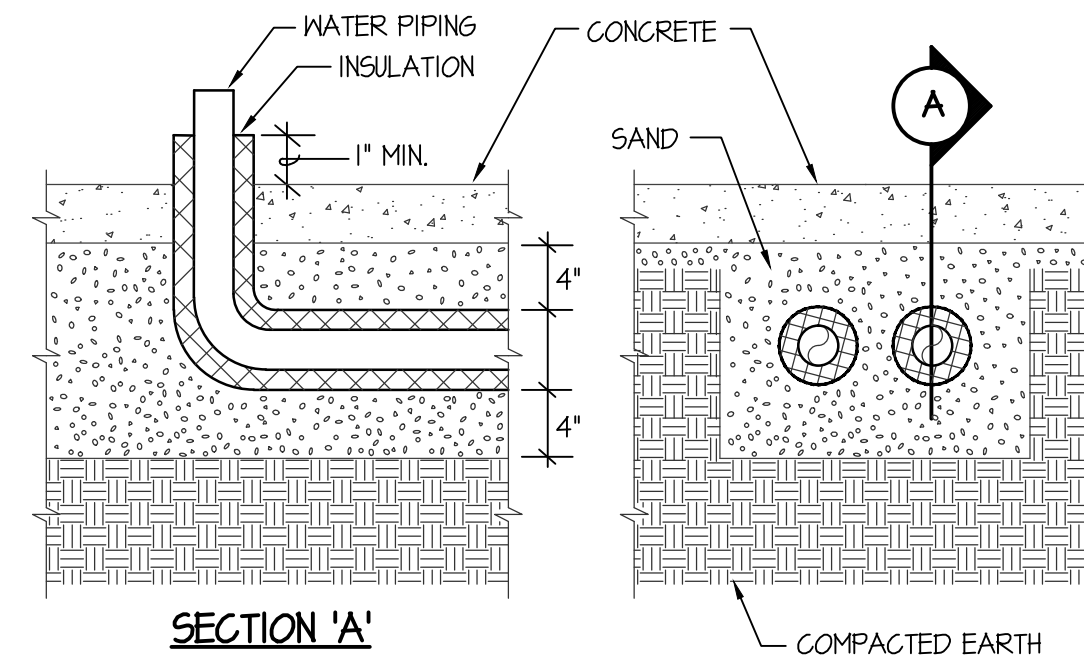


**TRAP PRIMER DETAIL**  
NO SCALE

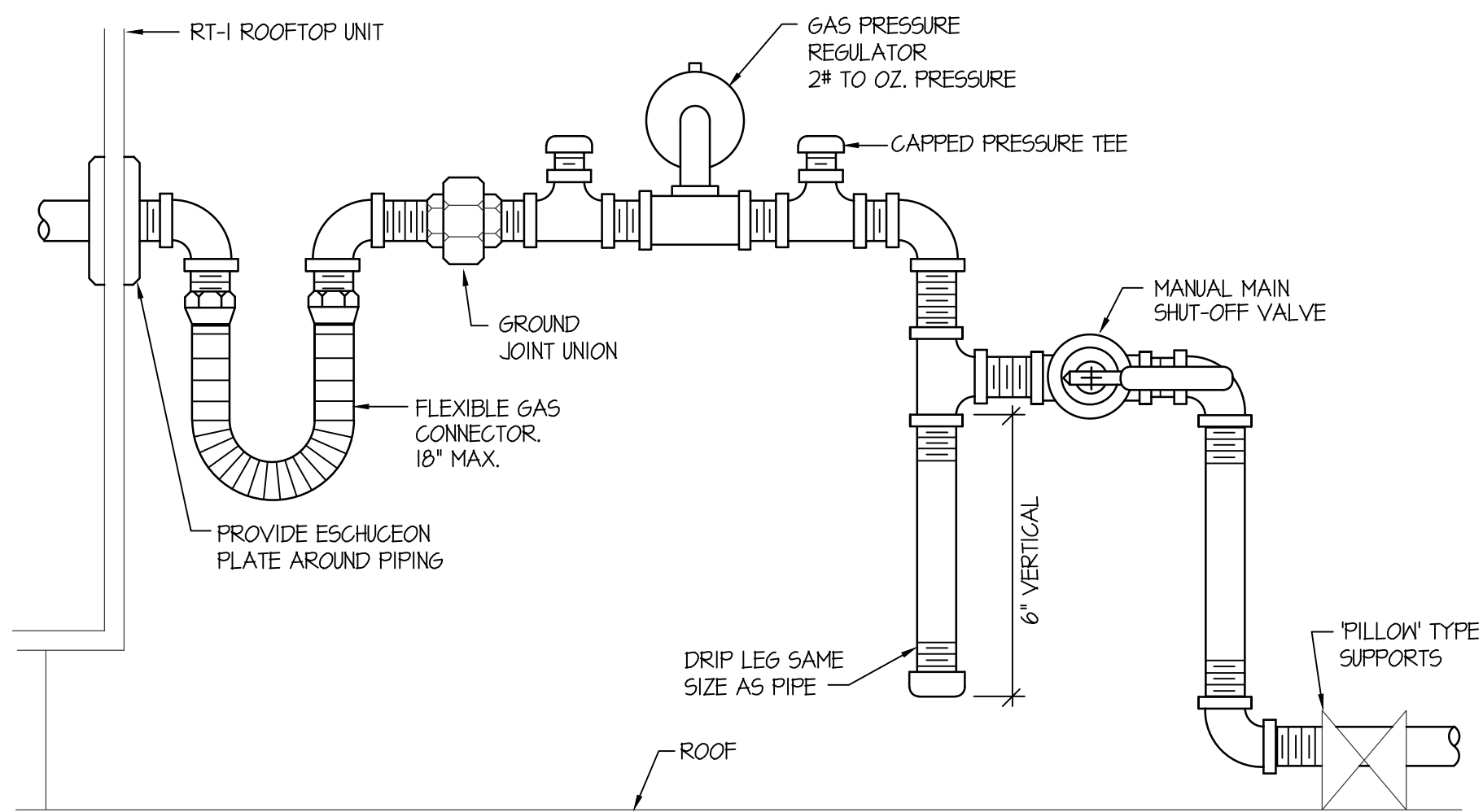


**WATER PRESSURE REDUCING STATION DETAIL**  
NO SCALE

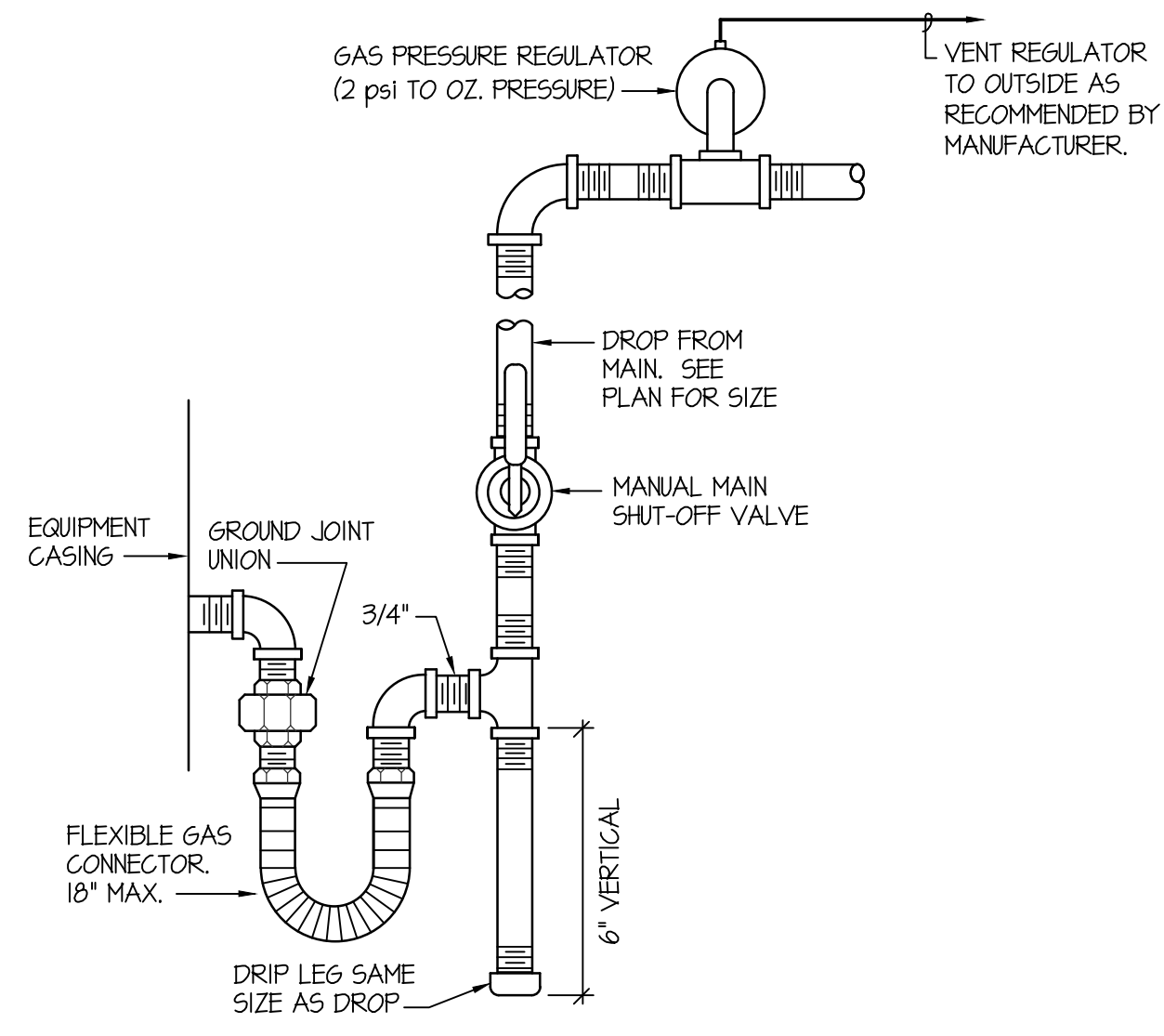


- NOTES:**
- 1 - ALL WATER PIPING INSTALLED UNDERFLOOR SHALL BE TYPE "K" COPPER
  - 2 - WATER PIPE INSULATION ON UNDERFLOOR PIPING SHALL BE ARMAFLEX 3/4" THICK RUBBER PIPE INSULATION. TAPE INSULATION AT ALL SEAMS.
  - 3 - MINIMUM PIPE SIZE UNDERFLOOR SHALL BE 3/4"
  - 4 - SAND FILL AROUND PIPING SHALL BE A MINIMUM OF 4" THICK. MATERIAL SHALL BE HAND TAMPED, RODDED OR LIGHTLY COMPACTED DURING INSTALLATION. CARE SHOULD BE TAKEN NOT TO DEFORM OR OTHERWISE DAMAGE PIPING OR INSULATION.

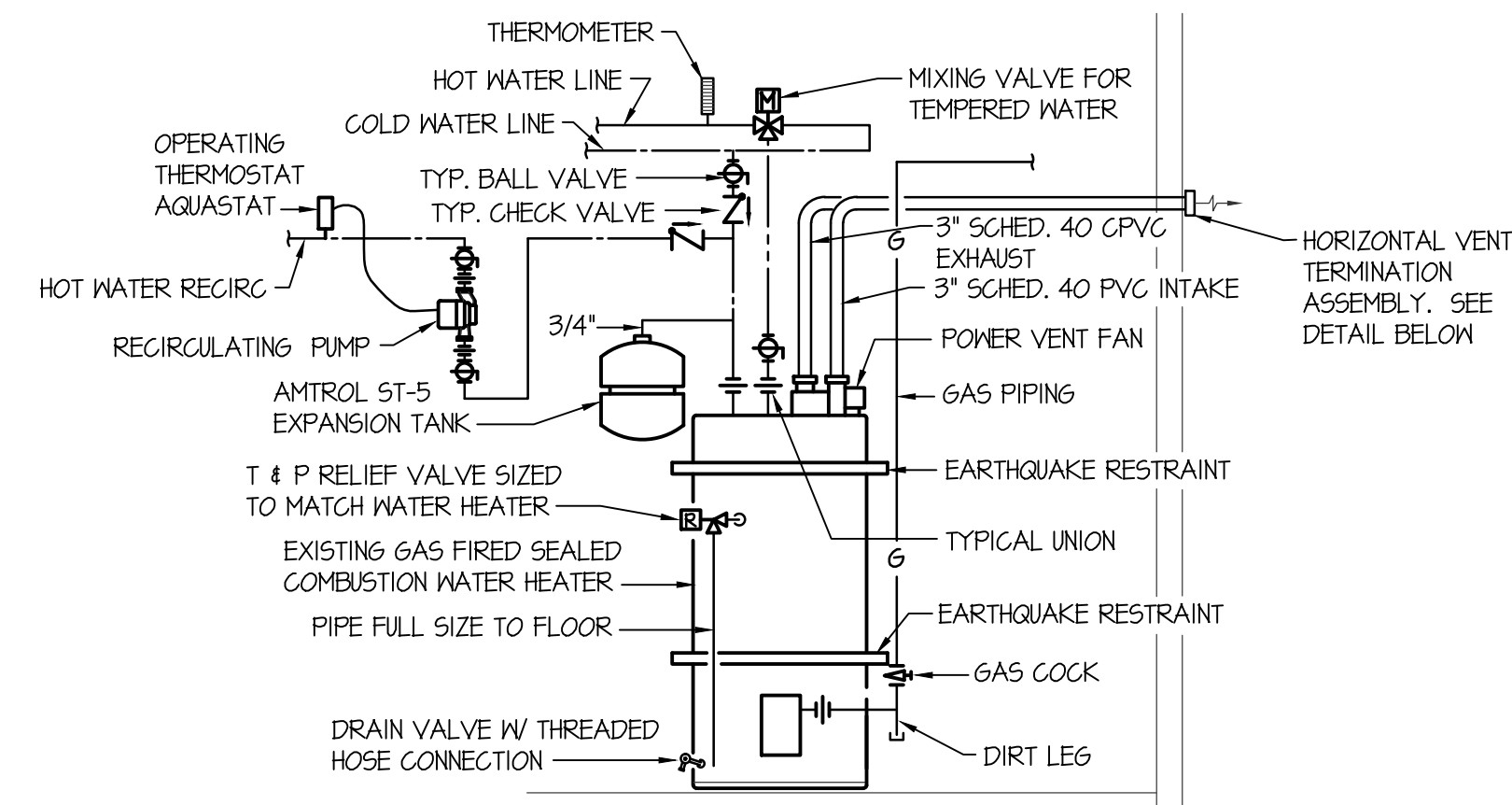
**UNDER SLAB PIPE INSTALLATION DETAIL**  
NO SCALE



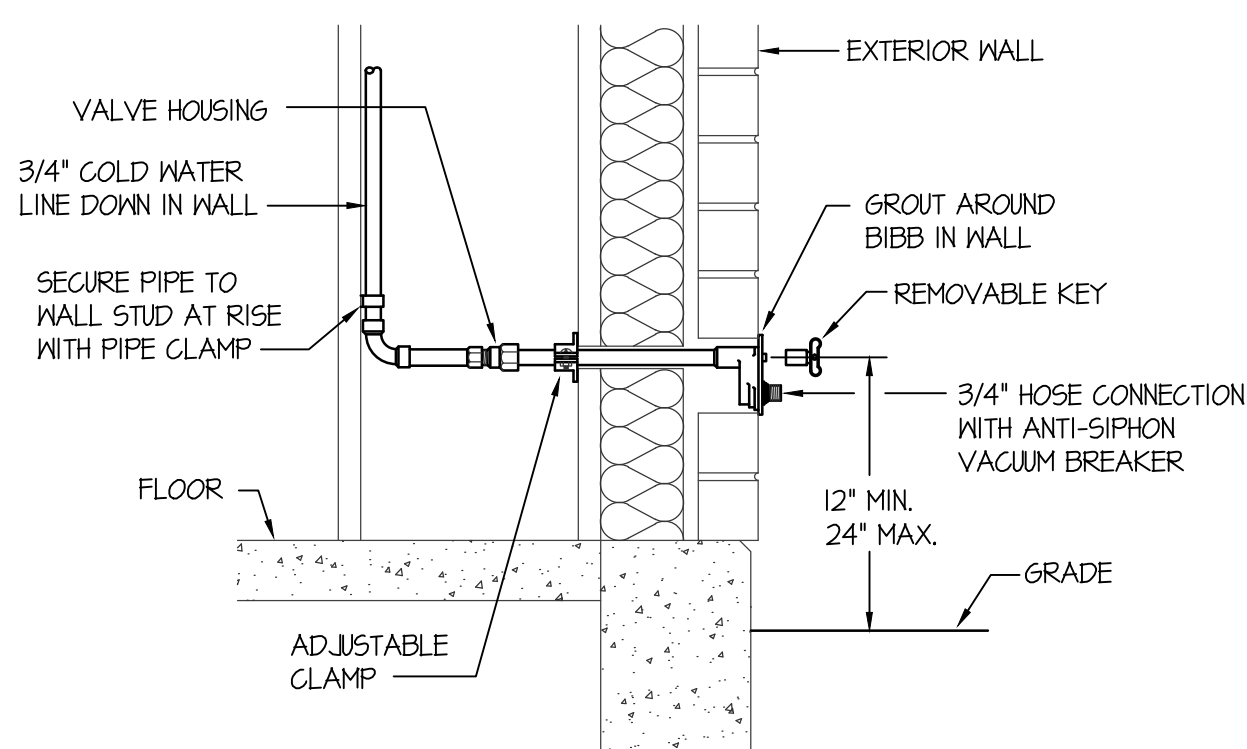
**ROOF TOP GAS PRESSURE REGULATOR DETAIL**  
NO SCALE



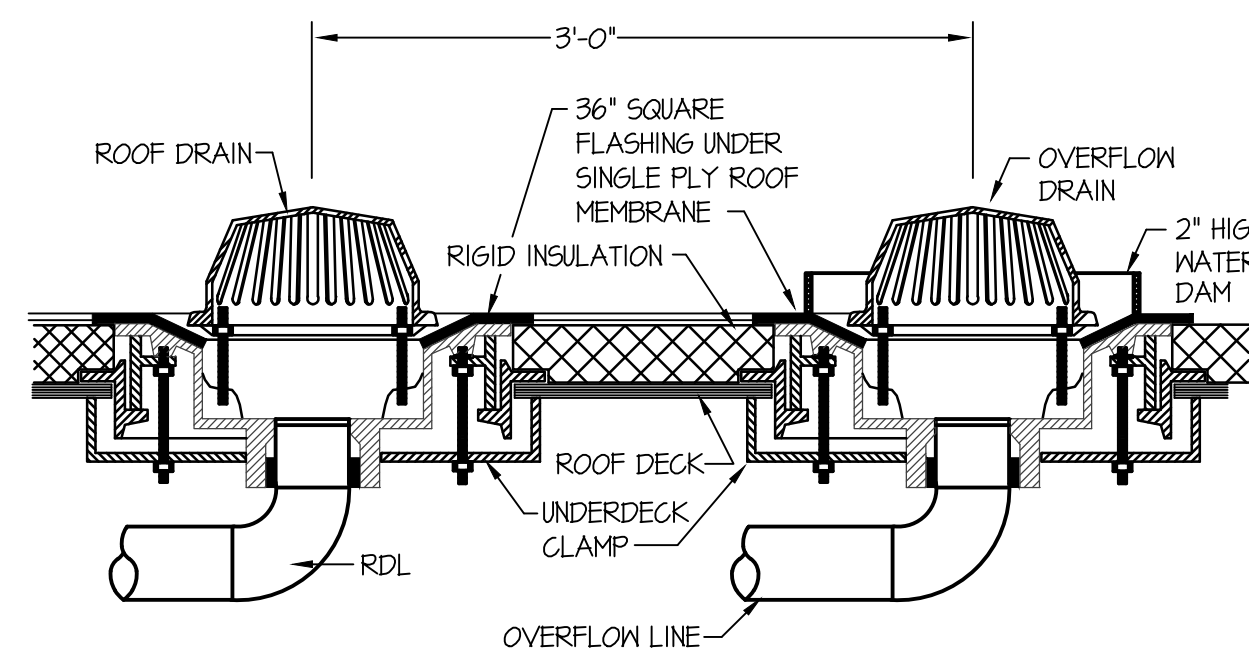
**WATER HEATER AND BOILER GAS LINE CONNECTION DETAIL**  
NO SCALE



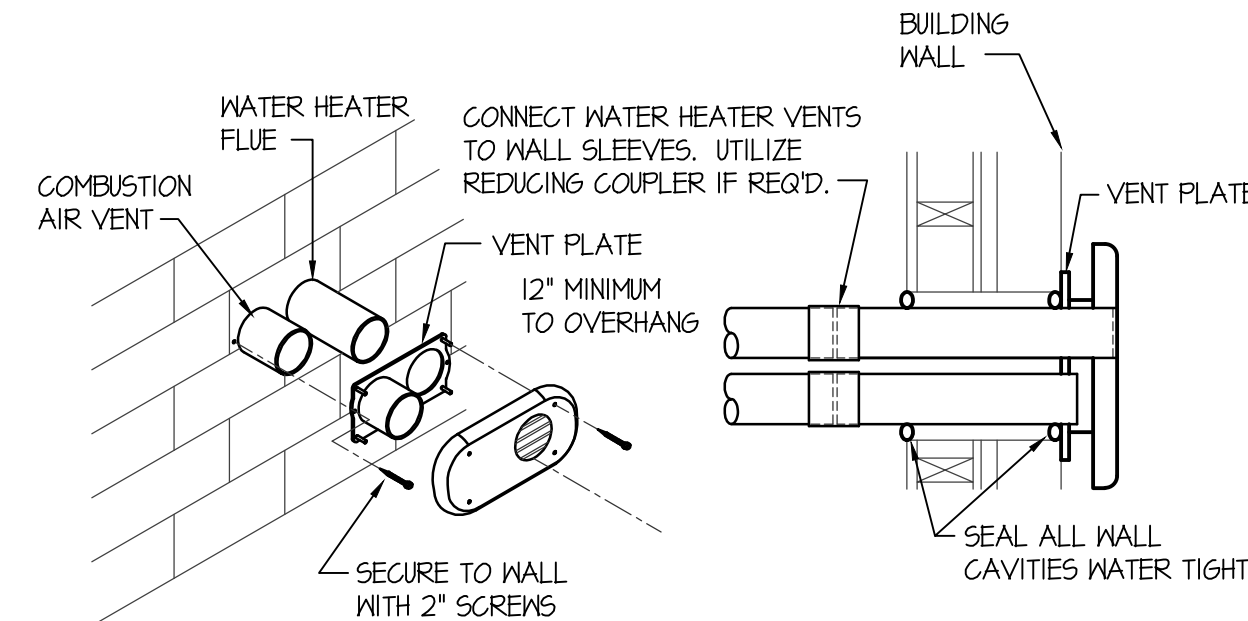
**GAS FIRED WATER HEATER PIPING DIAGRAM**  
NO SCALE



**EXTERIOR HOSE BIBB DETAIL**  
NO SCALE



**ROOF DRAIN DETAIL**  
NO SCALE



**WATER HEATER VENT TERMINATION DETAIL**  
NO SCALE

CONTRACTOR SHALL VERIFY ALL DIMENSIONS & CONDITIONS SHOWN OR IMPLIED

DRAWING SCALE APPLIES TO 22' X 34' SHEET SIZE

REVISION DATE

DRAWN BY: SR  
CHECKED BY: DCS  
JOB NUMBER: 46548-13B  
PROJECT DATE: FEB. 2020  
SHEET OF

ORIGINAL DRAWING SIGNED BY: DWAYNE C. SUDWEEKS  
DATE ORIGINAL SIGNED: FEB. 14, 2020  
ORIGINAL ON FILE AT ENGINEERED SYSTEMS ASSOCIATES  
1355 EAST CENTER, POCATELLO, IDAHO 83201

**Engineered Systems Associates**  
1355 EAST CENTER  
POCATELLO, IDAHO 83201  
PHONE: (208) 233-0501  
FAX: (208) 233-0529  
EMAIL: esa@engsystems.com  
ESA JOB NUMBER: 18080

**PROFESSIONAL ENGINEER REGISTERED**  
5762  
STATE OF IDAHO  
DWAYNE C. SUDWEEKS

**P300**